

NOTE:

1 THE RECOMMENDED DISTANCE FROM A STRUCTURE IS DEPENDENT ON STATE AND LOCAL CODES. NFPA 37, STANDARDS FOR THE INSTALLATION AND USE OF STATIONARY COMBUSTION ENGINES AND GAS TURBINES, STATES THIS DISTANCE SHOULD BE AT LEAST 5 FEET FROM A COMBUSTIBLE MATERIAL.

2 FOR INSTALLATIONS NEAR NON-COMBUSTIBLE STRUCTURE, A MINIMUM DISTANCE OF 18" IS REQUIRED TO ENSURE PROPER GENERATOR COOLING.

- ACCEPTABLE**
- 1) EXHAUST IS AIMED AWAY OR PARALLEL TO STRUCTURE.
 - 2) EXHAUST IS NOT DIRECTED AT PLAY AREAS, PATIOS OR OTHER AREAS WHERE PEOPLE CONGREGATE.
 - 3) THE NEAREST WINDOW, VENT, DOOR OR SIMILAR STRUCTURE OPENING IS AT LEAST 5 FEET FROM THE EXHAUST END OF THE SET.
 - 4) SET HAS PROPER OFFSET FROM STRUCTURE.
 - 5) WINDOWS & DOORS ON ADJACENT WALLS ARE CLOSED.
 - 6) FURNACE AND OTHER SIMILAR INTAKES ARE AT LEAST 10 FEET FROM EXHAUST END OF SET.
 - 7) WEED BARRIER AND 3 INCH THICK GRAVEL BASE OR CONCRETE PAD LOCATED TO PREVENT GRASS & WEEDS FROM GROWING TOO CLOSE TO THE SET.
 - 8) NO PLANTS, SHRUBS OR OTHER COMBUSTIBLES ALLOWED IN CLEARANCE AREA. (MINIMUM 4 FT. FROM EXHAUST END).
 - 9) REFER TO OWNERS MANUAL FOR OTHER INSTALLATION CONSTRAINTS.
 - 10) NO PLANTS, SHRUBS, OR OTHER COMBUSTIBLES ALLOWED WITHIN 18" OF AIR INTAKE.

REV	DATE	CHANGE NUMBER	ON COMPOSITE DWGS, SEE PART NO. FOR REVISION LEVEL □ INDICATES PART NUMBERS AFFECTED BY LATEST DRAWING REVISION	BY
-	06NOV2020	CT207992	NEW DRAWING	AZE

UNLESS OTHERWISE SPECIFIED:
ALL DIMENSIONS IN MILLIMETERS
GENERAL TOLERANCES:
X.XX ± 0.25 SURFACE FINISH
X.X ± 1.0
X ± 1.5
ANGLES ± 0°30' ✓ MAX.

THIRD ANGLE PROJECTION

MAJOR ○ = 0
CRITICAL ⊙ = 0
CHARACTERISTICS COMPLY WITH
KPS-80022

DRAWN BY AZE DATE: 06NOV2020
APPROVED BY KJB

DO NOT SCALE.
THIS ASSEMBLY OR PART MUST COMPLY WITH PEP-RML-001. REFERENCE CAD MODEL FOR UNSPECIFIED DIMENSIONS.

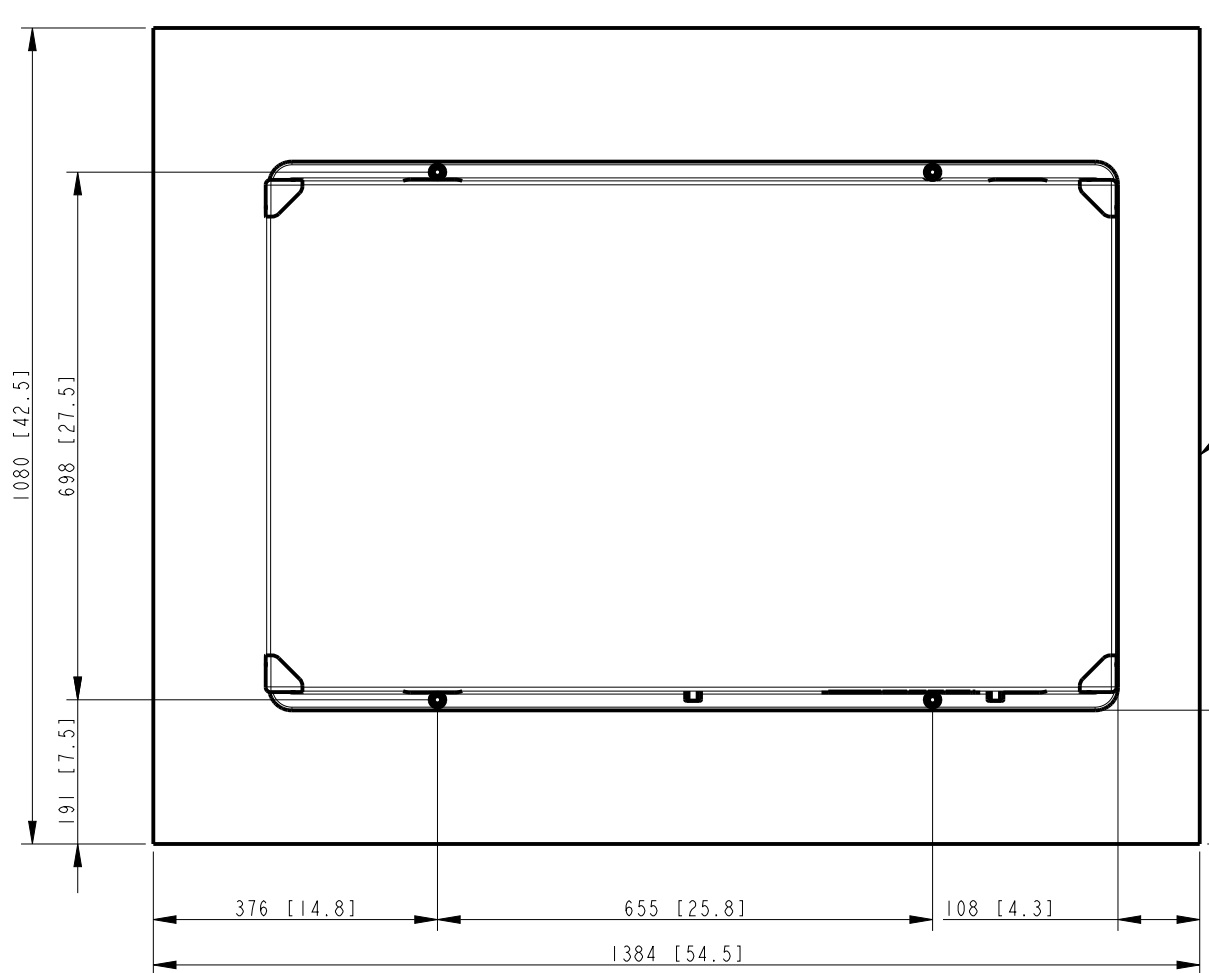
KOHLER.
KOHLER, WISCONSIN 53044

SCALE: NA SHEET SIZE: B SHEET 2 OF 3

TITLE:
DIMENSION PRINT, 12RES

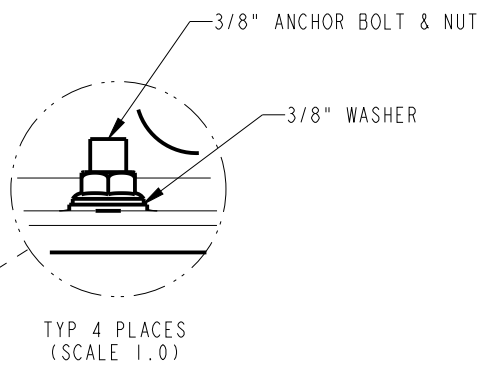
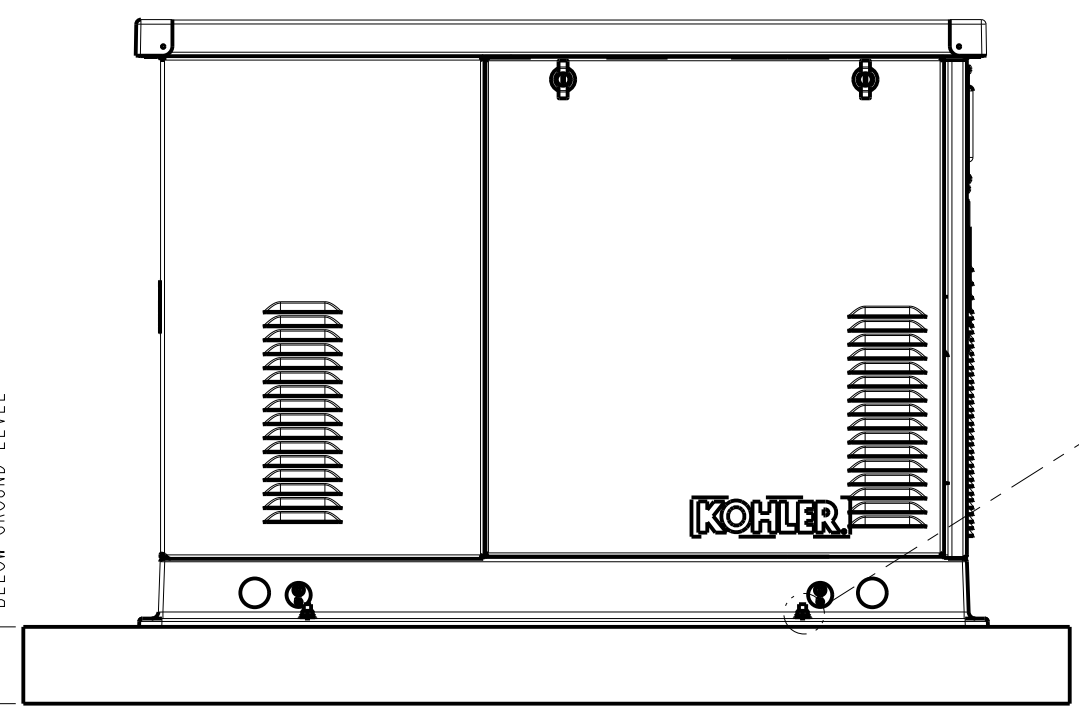
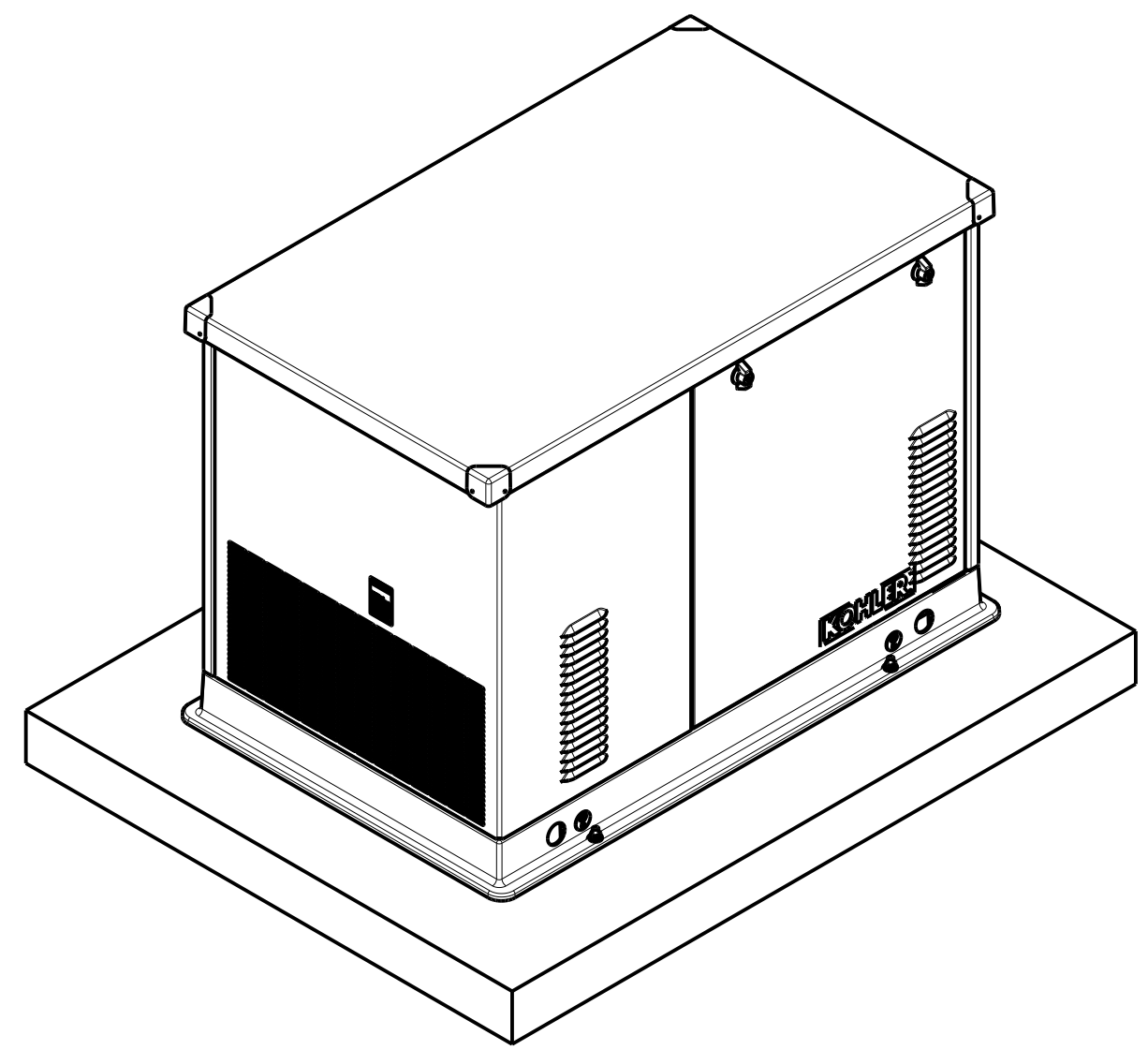
DWG NO.: **ADV-9747**

12RES
SINGLE UNIT
CONFIGURATION



PLASTIC BASE

CONCRETE PAD
3000 PSI MIN



NOTE:
BOLTED CONNECTION REQUIREMENTS:
SHEAR LOAD 150 LBS/BOLT.
PULL OUT FORCE 200 LBS/BOLT.

12RES
150MPH - HIGH WIND
MOUNTING DETAIL

REV	DATE	CHANGE NUMBER	ON COMPOSITE DWGS, SEE PART NO. FOR REVISION LEVEL □ INDICATES PART NUMBERS AFFECTED BY LATEST DRAWING REVISION	BY
-	06NOV2020	CT207992	NEW DRAWING	AZE

UNLESS OTHERWISE SPECIFIED:
ALL DIMENSIONS IN MILLIMETERS
GENERAL TOLERANCES:
X.XX ± 0.25
X.X ± 1.0 SURFACE FINISH
X ± 1.5
ANGLES ± 0°30' ✓ MAX.

THIRD ANGLE PROJECTION

MAJOR ○ = 0
CRITICAL ⊙ = 0
CHARACTERISTICS COMPLY WITH
KPS-80022

DRAWN BY AZE DATE: 06NOV2020
APPROVED BY KJB

DO NOT SCALE.
THIS ASSEMBLY OR PART MUST
COMPLY WITH PEP-RML-001.
REFERENCE CAD MODEL FOR
UNSPECIFIED DIMENSIONS.

KOHLER.
KOHLER, WISCONSIN 53044

SCALE: NA SHEET SIZE: B SHEET 3 OF 3

TITLE:
DIMENSION PRINT, 12RES

DWG NO.: **ADV-9747**