

NOTE: DIMENSIONS IN [] ARE INCH EQUIVALENTS.

REV	DATE	CHANGE NUMBER	ON COMPOSITE DWGS, SEE PART NO. FOR REVISION LEVEL □ INDICATES PART NUMBERS AFFECTED BY LATEST DRAWING REVISION	BY
-	04NOV2020	CT207992	NEW DRAWING	AZE

UNLESS OTHERWISE SPECIFIED:
ALL DIMENSIONS IN MILLIMETERS
GENERAL TOLERANCES:
X.XX ± 0.25
X.X ± 1.0 SURFACE FINISH
X ± 1.5
ANGLES ± 0°30' ✓ MAX.

THIRD ANGLE PROJECTION

MAJOR ○ = 0
CRITICAL ⊗ = 0
CHARACTERISTICS COMPLY WITH
KPS-80022

DRAWN BY AZE DATE: 04NOV2020
APPROVED BY KJB

DO NOT SCALE.
THIS ASSEMBLY OR PART MUST
COMPLY WITH PEP-RML-001.
REFERENCE CAD MODEL FOR
UNSPECIFIED DIMENSIONS.

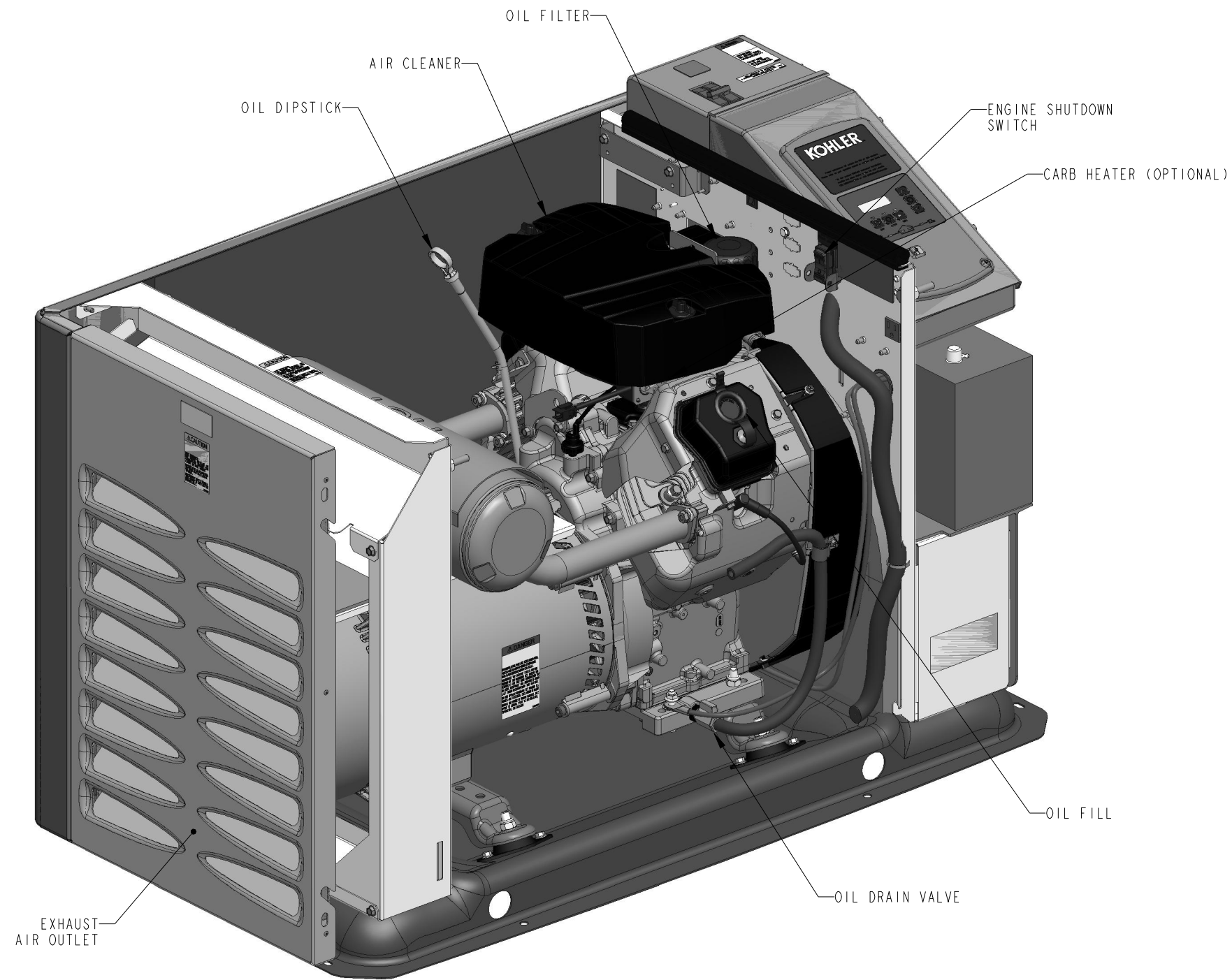
KOHLER.
KOHLER, WISCONSIN 53044

SCALE: NA SHEET SIZE: B SHEET 1 OF 5

TITLE:
**DIMENSION PRINT,
14/20RCA**

DWG NO.: **ADV-9746**

14/20RCA



REV	DATE	CHANGE NUMBER	ON COMPOSITE DWGS, SEE PART NO. FOR REVISION LEVEL □ INDICATES PART NUMBERS AFFECTED BY LATEST DRAWING REVISION	BY
-	04NOV2020	CT207992	NEW DRAWING	AZE

UNLESS OTHERWISE SPECIFIED:
ALL DIMENSIONS IN MILLIMETERS
GENERAL TOLERANCES:
X.XX ± 0.25
X.X ± 1.0 SURFACE FINISH
X ± 1.5
ANGLES ± 0°30' ✓ MAX.

THIRD ANGLE PROJECTION

MAJOR ○ = 0
CRITICAL ⊗ = 0
CHARACTERISTICS COMPLY WITH
KPS-80022

DRAWN BY AZE DATE: 04NOV2020
APPROVED BY KJB

DO NOT SCALE.
THIS ASSEMBLY OR PART MUST
COMPLY WITH PEP-RML-001.
REFERENCE CAD MODEL FOR
UNSPECIFIED DIMENSIONS.

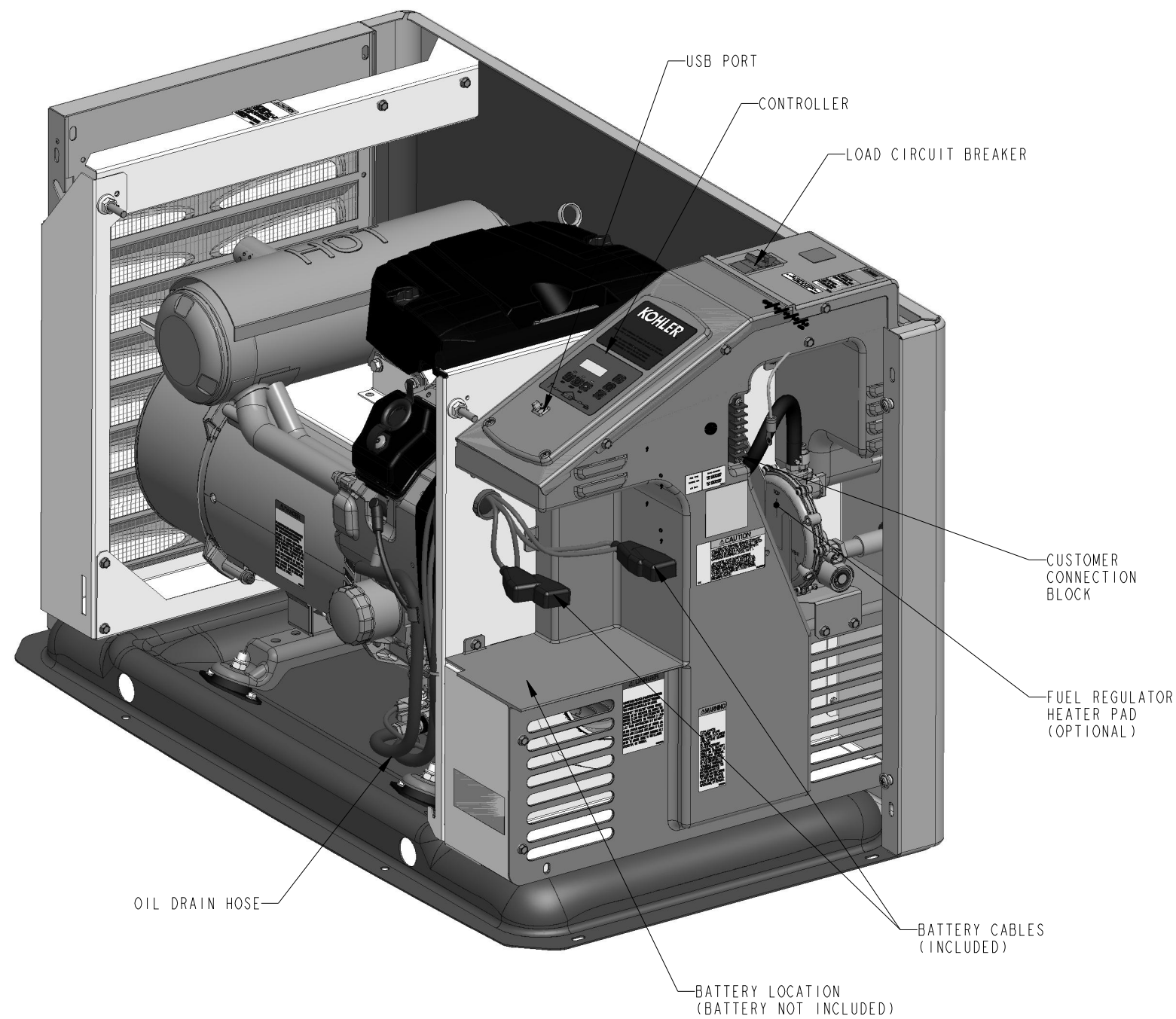
KOHLER.
KOHLER, WISCONSIN 53044

SCALE: NA SHEET SIZE: B SHEET 2 OF 5

TITLE:
**DIMENSION PRINT,
14/20RCA**

DWG NO.: **ADV-9746**

14/20RCA



REV	DATE	CHANGE NUMBER	ON COMPOSITE DWGS, SEE PART NO. FOR REVISION LEVEL □ INDICATES PART NUMBERS AFFECTED BY LATEST DRAWING REVISION	BY
-	04NOV2020	CT207992	NEW DRAWING	AZE

UNLESS OTHERWISE SPECIFIED:
ALL DIMENSIONS IN MILLIMETERS
GENERAL TOLERANCES:
X.XX ± 0.25
X.X ± 1.0 SURFACE FINISH
X ± 1.5
ANGLES ± 0°30' ✓ MAX.

THIRD ANGLE PROJECTION

MAJOR ○ = 0
CRITICAL ● = 0
CHARACTERISTICS COMPLY WITH
KPS-80022

DRAWN BY AZE DATE: 04NOV2020
APPROVED BY KJB

DO NOT SCALE.
THIS ASSEMBLY OR PART MUST COMPLY WITH PEP-RML-001.
REFERENCE CAD MODEL FOR UNSPECIFIED DIMENSIONS.

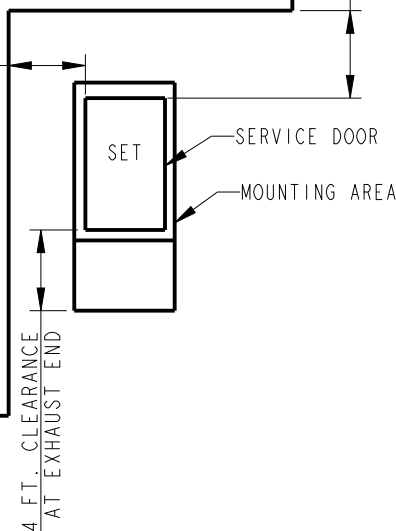
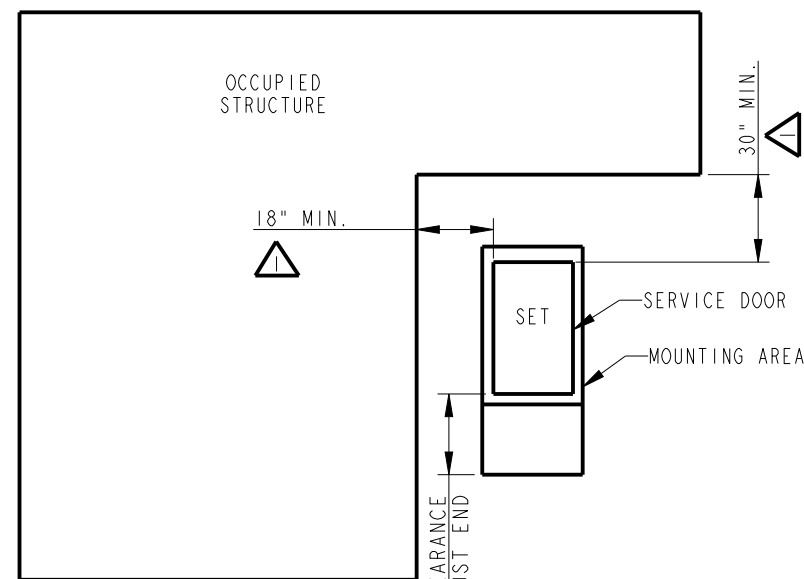
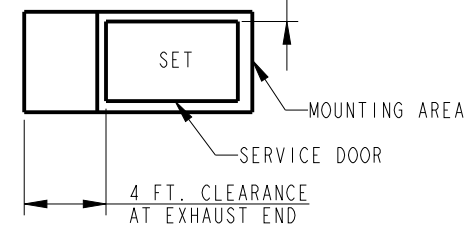
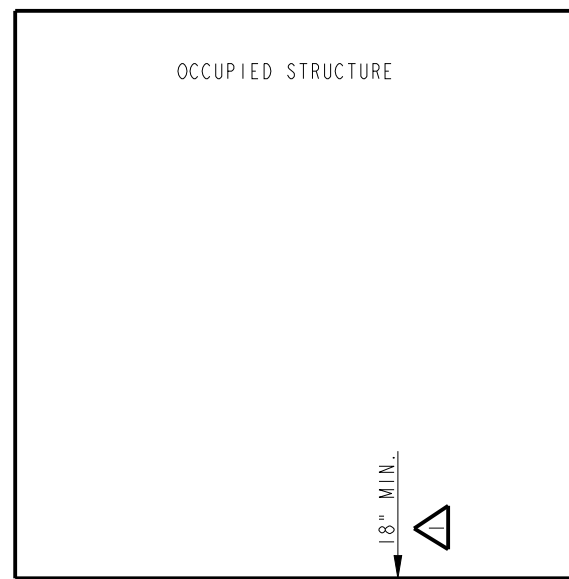
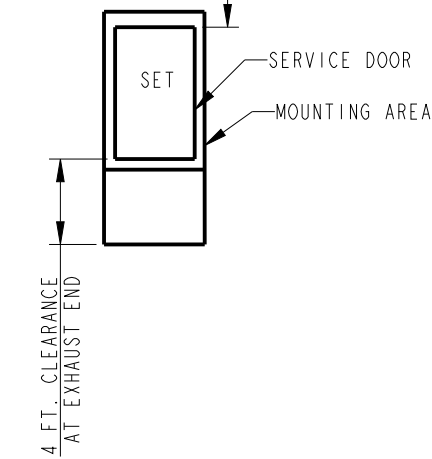
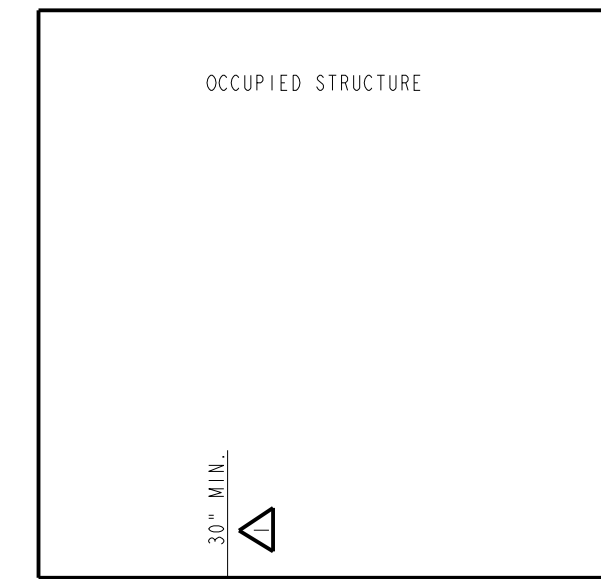
KOHLER.
KOHLER, WISCONSIN 53044


SCALE: NA SHEET SIZE: B SHEET 3 OF 5

TITLE:
**DIMENSION PRINT,
14/20RCA**

DWG NO.: **ADV-9746**

14/20RCA



NOTE:
 THE RECOMMENDED DISTANCE FROM A STRUCTURE IS DEPENDENT ON STATE AND LOCAL CODES. PRODUCT HAS BEEN DEMONSTRATED IN ACCORDANCE WITH NFPA 37 SECTION 4.1.4 BY A THIRD PARTY TEST FACILITY TO THE DIMENSIONS SHOWN.

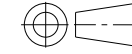
ACCEPTABLE

- 1) EXHAUST IS AIMED AWAY OR PARALLEL TO STRUCTURE.
- 2) EXHAUST IS NOT DIRECTED AT PLAY AREAS, PATIOS OR OTHER AREAS WHERE PEOPLE CONGREGATE.
- 3) THE NEAREST WINDOW, VENT, DOOR OR SIMILAR STRUCTURE OPENING IS AT LEAST 5 FEET FROM THE EXHAUST END OF THE SET.
- 4) SET HAS PROPER OFFSET FROM STRUCTURE.
- 5) WINDOWS & DOORS ON ADJACENT WALLS ARE CLOSED.
- 6) FURNACE AND OTHER SIMILAR INTAKES ARE AT LEAST 10 FEET FROM EXHAUST END OF SET.
- 7) WEED BARRIER AND 3 INCH THICK GRAVEL BASE OR CONCRETE PAD LOCATED TO PREVENT GRASS & WEEDS FROM GROWING TOO CLOSE TO THE SET.
- 8) NO PLANTS, SHRUBS OR OTHER COMBUSTIBLES ALLOWED IN CLEARANCE AREA. (MINIMUM 4 FT. FROM EXHAUST END).
- 9) REFER TO OWNERS MANUAL FOR OTHER INSTALLATION CONSTRAINTS.
- 10) NO PLANTS, SHRUBS, OR OTHER COMBUSTIBLES ALLOWED WITHIN 30" OF AIR INTAKE.

14/20RCA
 SINGLE UNIT
 CONFIGURATION

REV	DATE	CHANGE NUMBER	ON COMPOSITE DWGS, SEE PART NO. FOR REVISION LEVEL □ INDICATES PART NUMBERS AFFECTED BY LATEST DRAWING REVISION	BY
-	04NOV2020	CT207992	NEW DRAWING	AZE

UNLESS OTHERWISE SPECIFIED:
 ALL DIMENSIONS IN MILLIMETERS
 GENERAL TOLERANCES:
 X.XX ± 0.25
 X.X ± 1.0 SURFACE FINISH
 X ± 1.5
 ANGLES ± 0°30' ✓ MAX.

THIRD ANGLE PROJECTION


MAJOR ○ = 0
CRITICAL ⊗ = 0
 CHARACTERISTICS COMPLY WITH
 KPS-80022

DRAWN BY AZE DATE:
 APPROVED BY KJB 04NOV2020

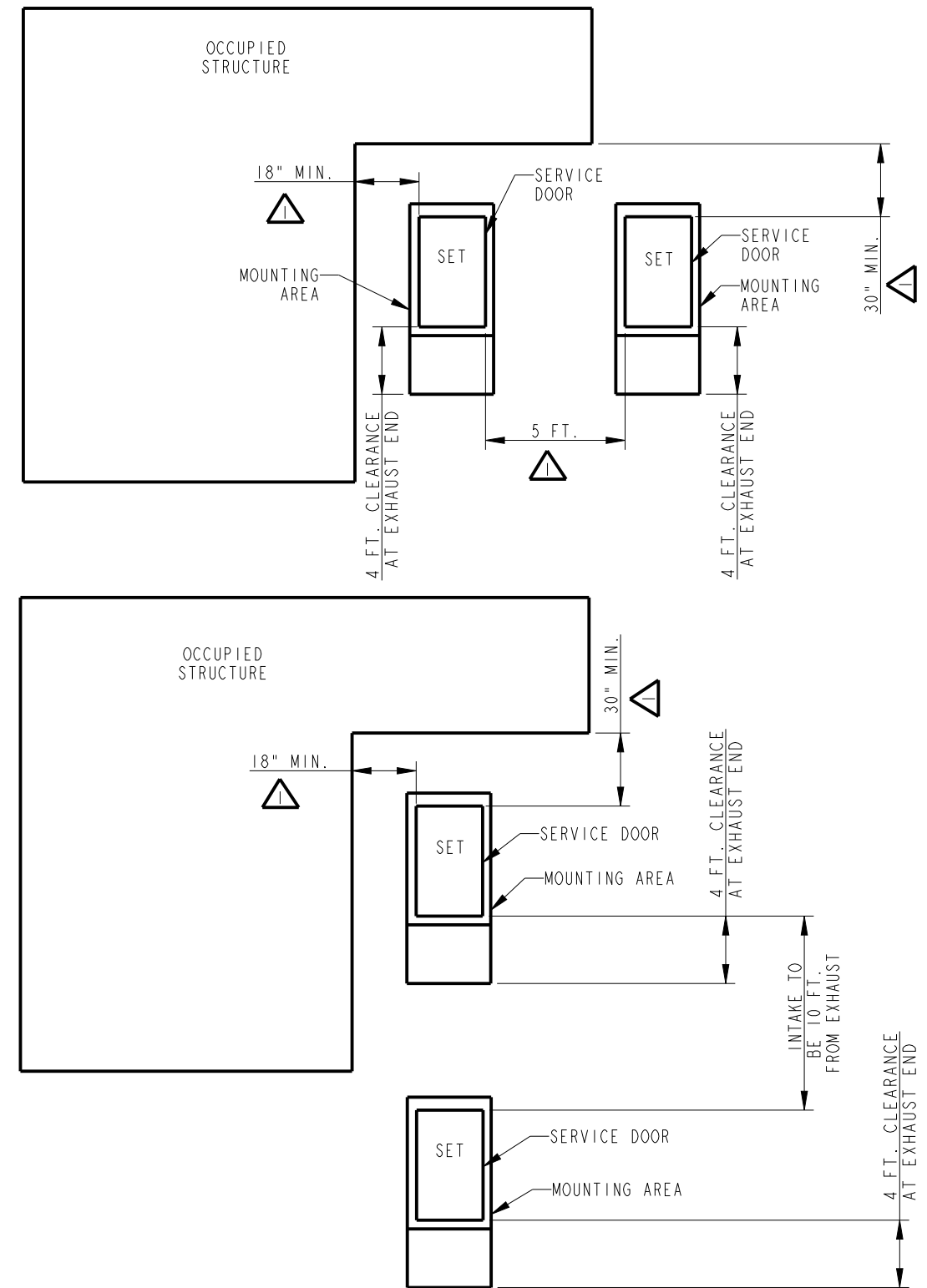
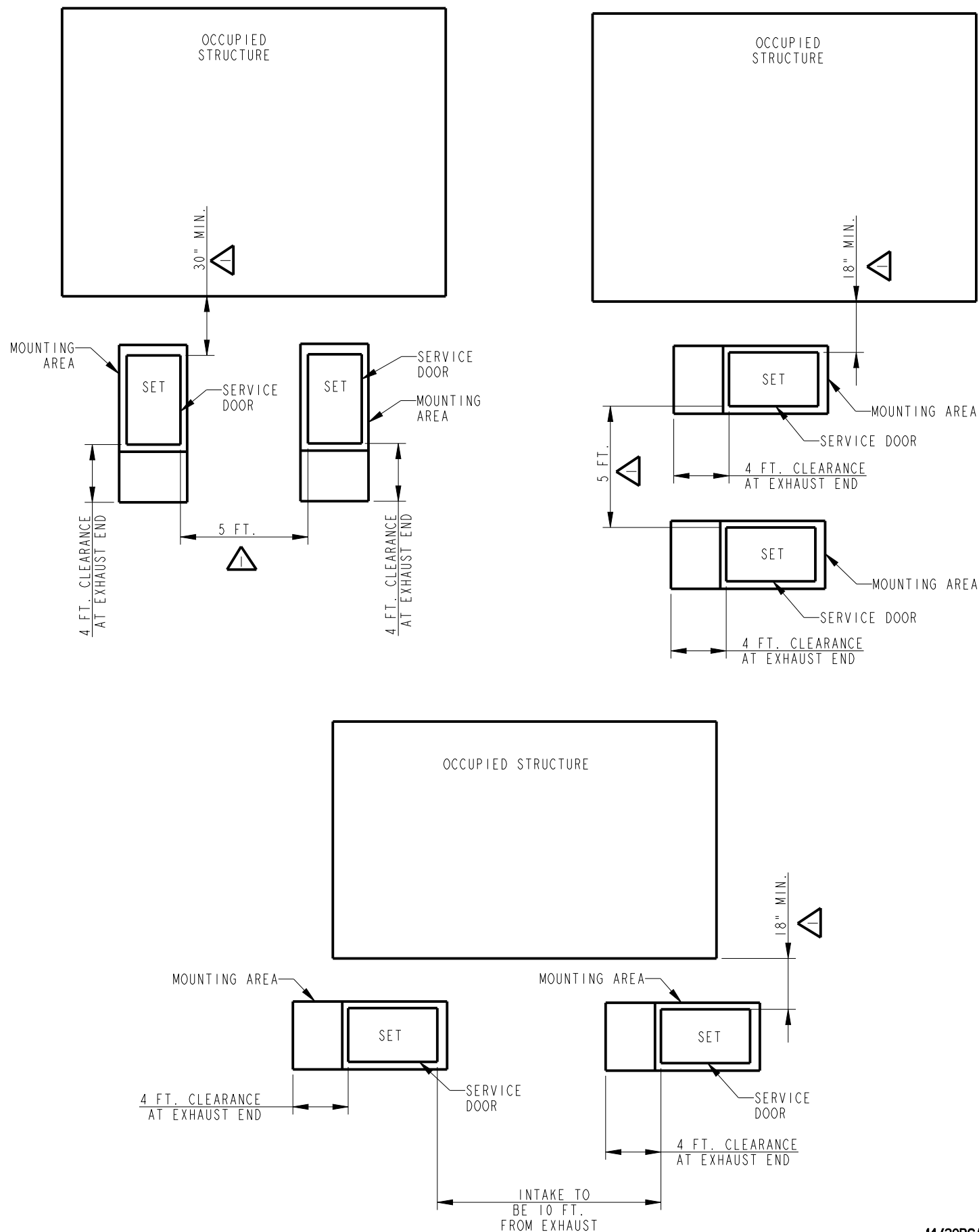
DO NOT SCALE.
 THIS ASSEMBLY OR PART MUST COMPLY WITH PEP-RML-001. REFERENCE CAD MODEL FOR UNSPECIFIED DIMENSIONS.

KOHLER.
 KOHLER, WISCONSIN 53044

SCALE: NA SHEET SIZE: B SHEET 4 OF 5

TITLE:
DIMENSION PRINT, 14/20RCA

DWG NO.: **ADV-9746**



NOTE:
APPLY NOTES ON SHEET 4 OF 5
TO SHEET 5 OF 5.

REV	DATE	CHANGE NUMBER	ON COMPOSITE DWGS, SEE PART NO. FOR REVISION LEVEL □ INDICATES PART NUMBERS AFFECTED BY LATEST DRAWING REVISION	BY
-	04NOV2020	CT207992	NEW DRAWING	AZE

UNLESS OTHERWISE SPECIFIED:
ALL DIMENSIONS IN MILLIMETERS
GENERAL TOLERANCES:
X.XX ± 0.25
X.X ± 1.0 SURFACE FINISH
X ± 1.5
ANGLES ± 0°30' ✓ MAX.

THIRD ANGLE PROJECTION

MAJOR ○ = 0
CRITICAL ⊙ = 0
CHARACTERISTICS COMPLY WITH
KPS-80022

DRAWN BY AZE DATE:
APPROVED BY KJB 04NOV2020

DO NOT SCALE.
THIS ASSEMBLY OR PART MUST
COMPLY WITH PEP-RML-001.
REFERENCE CAD MODEL FOR
UNSPECIFIED DIMENSIONS.

KOHLER.
KOHLER, WISCONSIN 53044

SCALE: NA SHEET SIZE: B SHEET 5 OF 5

TITLE:
**DIMENSION PRINT,
14/20RCA**

DWG NO.: **ADV-9746**

14/20RCA
PARALLEL UNIT
CONFIGURATION