

8 7 6 5 4 3 2 1

D

C

B

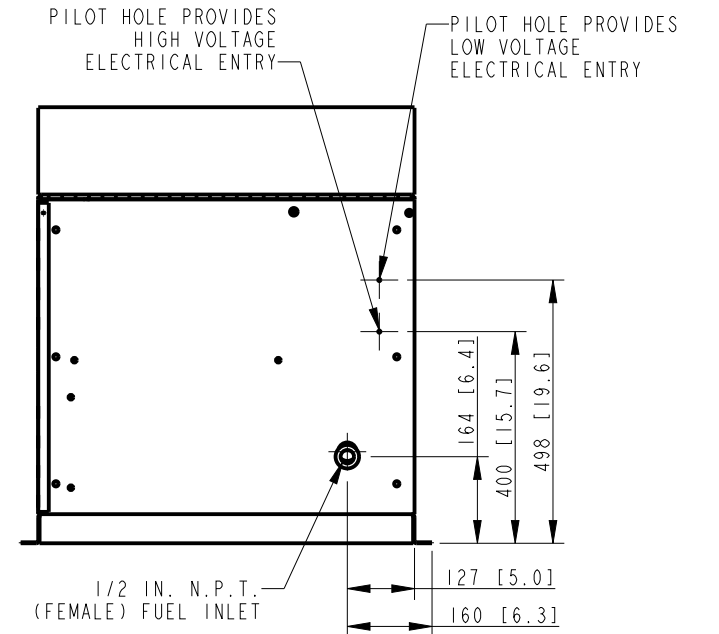
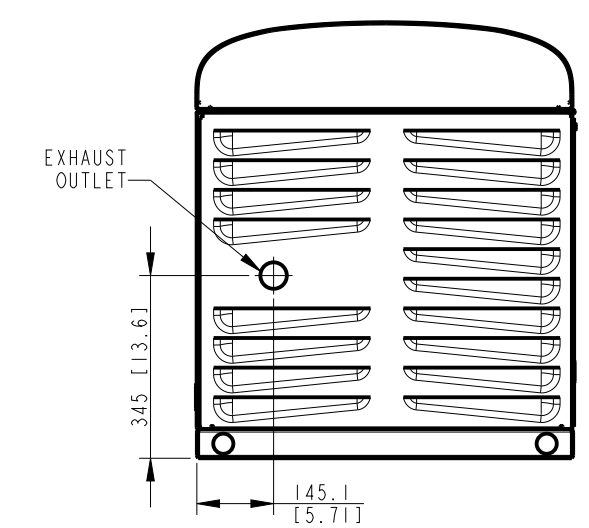
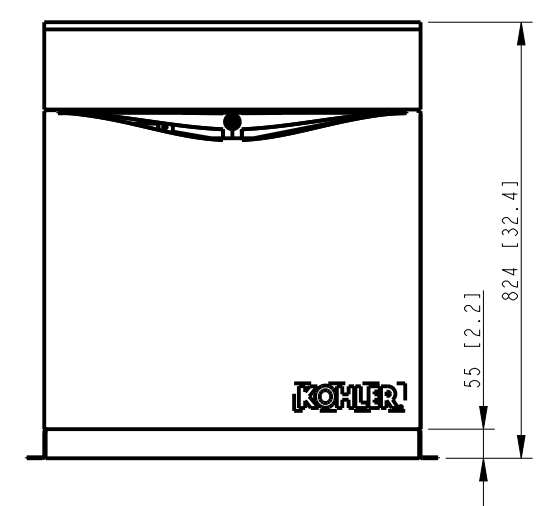
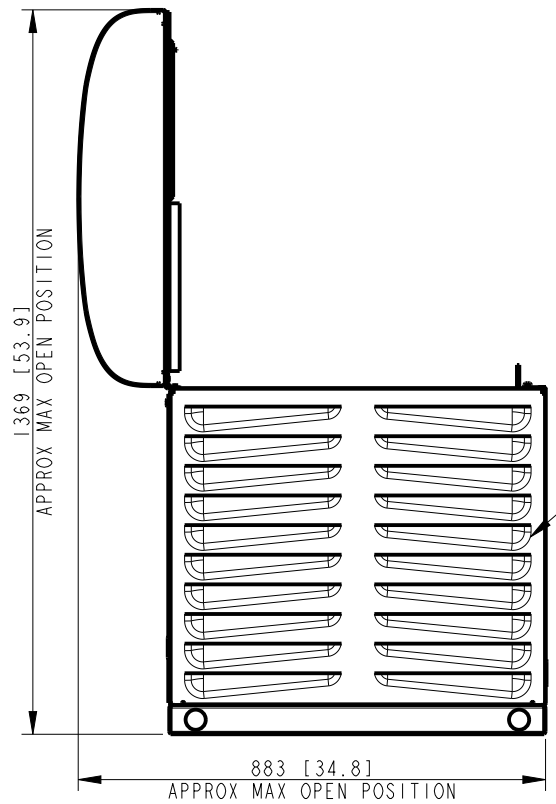
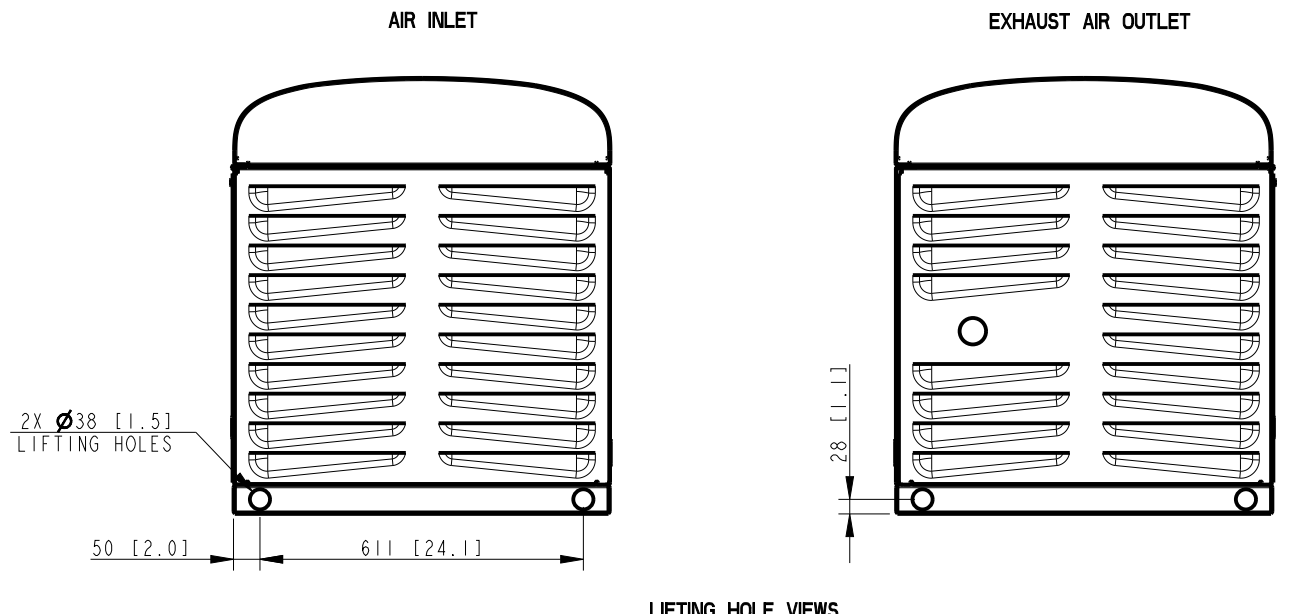
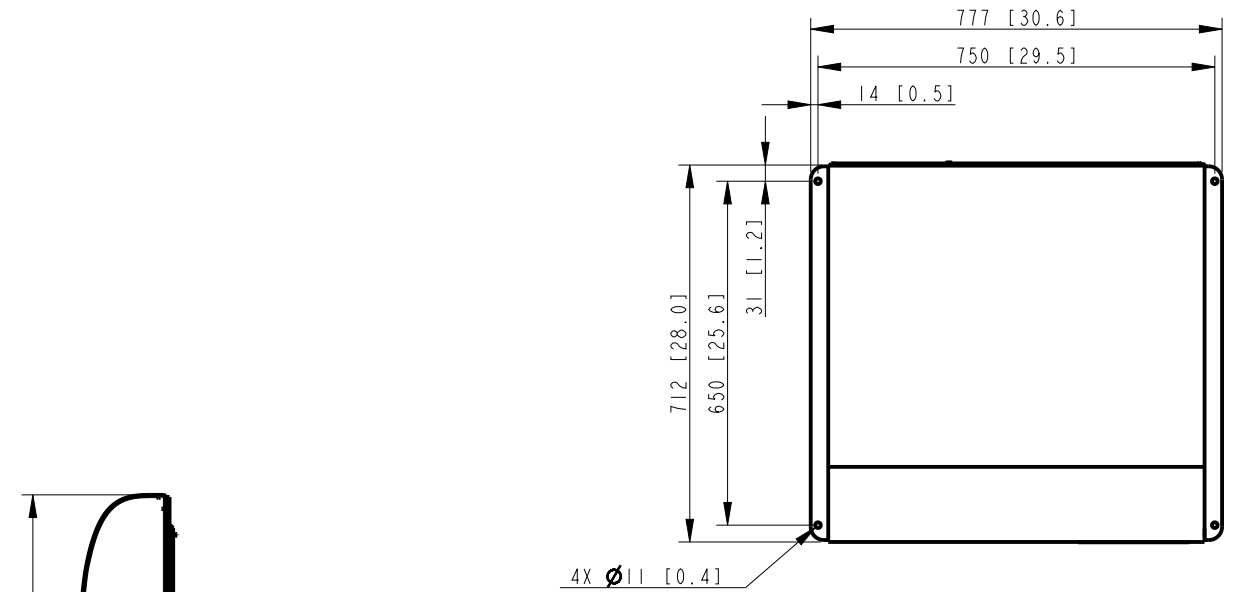
A

D

C

B

A



NOTE: DIMENSIONS IN [ ] ARE ENGLISH EQUIVALENTS.

REV	DATE	CHANGE NUMBER	ON COMPOSITE DWGS, SEE PART NO. FOR REVISION LEVEL □ INDICATES PART NUMBERS AFFECTED BY LATEST DRAWING REVISION	BY
-	22OCT2020	CT207992	NEW DRAWING	AZE

UNLESS OTHERWISE SPECIFIED:  
ALL DIMENSIONS IN MILLIMETERS  
GENERAL TOLERANCES:  
X.XX ± 0.25  
X.X ± 1.0 SURFACE FINISH  
X ± 1.5 MAX.  
ANGLES ± 0°30'

THIRD ANGLE PROJECTION

MAJOR ○ = 0  
CRITICAL ● = 0  
CHARACTERISTICS COMPLY WITH  
KPS-80022

DRAWN BY AZE DATE: 22OCT2020  
APPROVED BY KJB

DO NOT SCALE.  
THIS ASSEMBLY OR PART MUST COMPLY WITH PEP-RML-001.  
REFERENCE CAD MODEL FOR UNSPECIFIED DIMENSIONS.

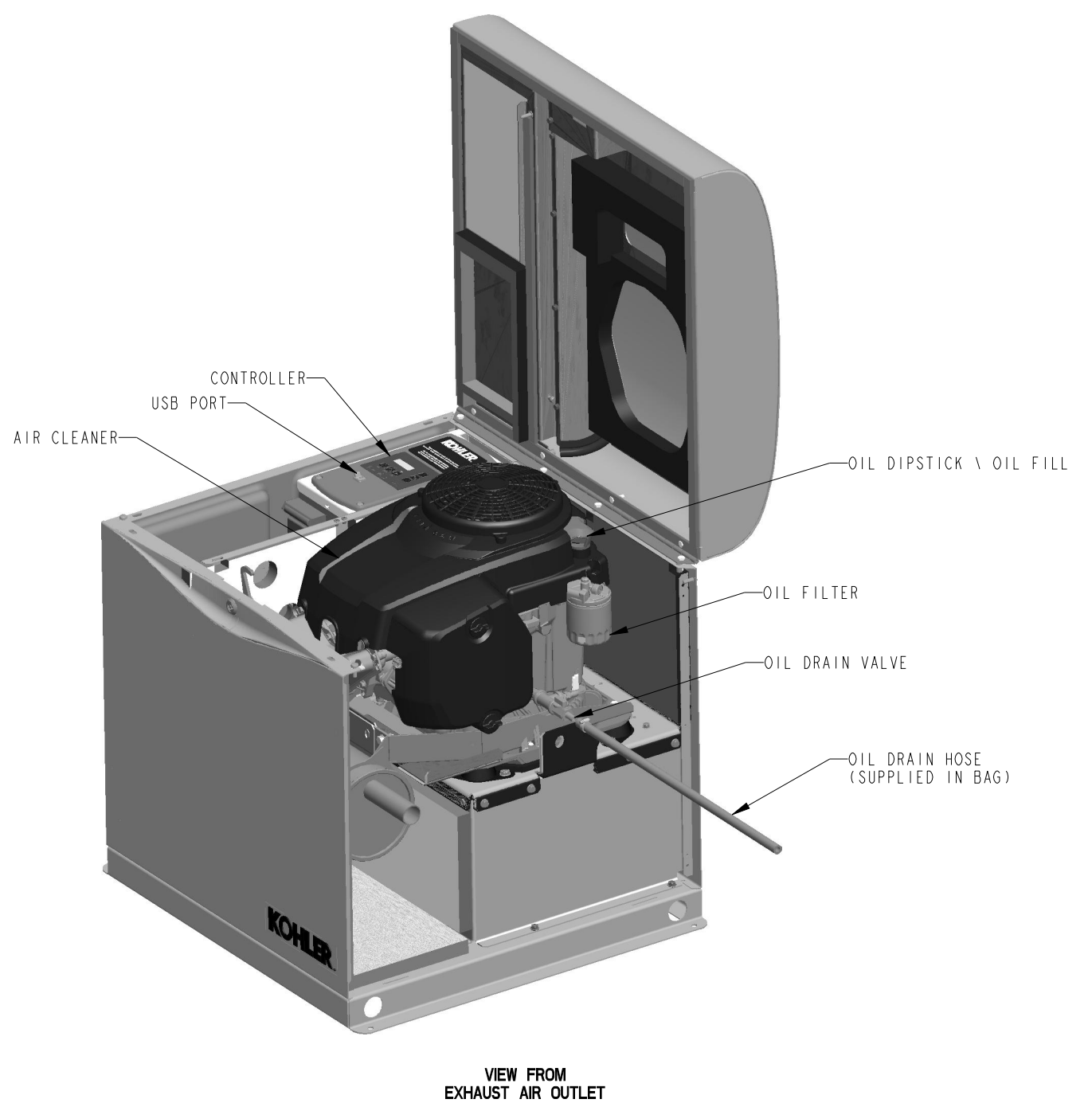
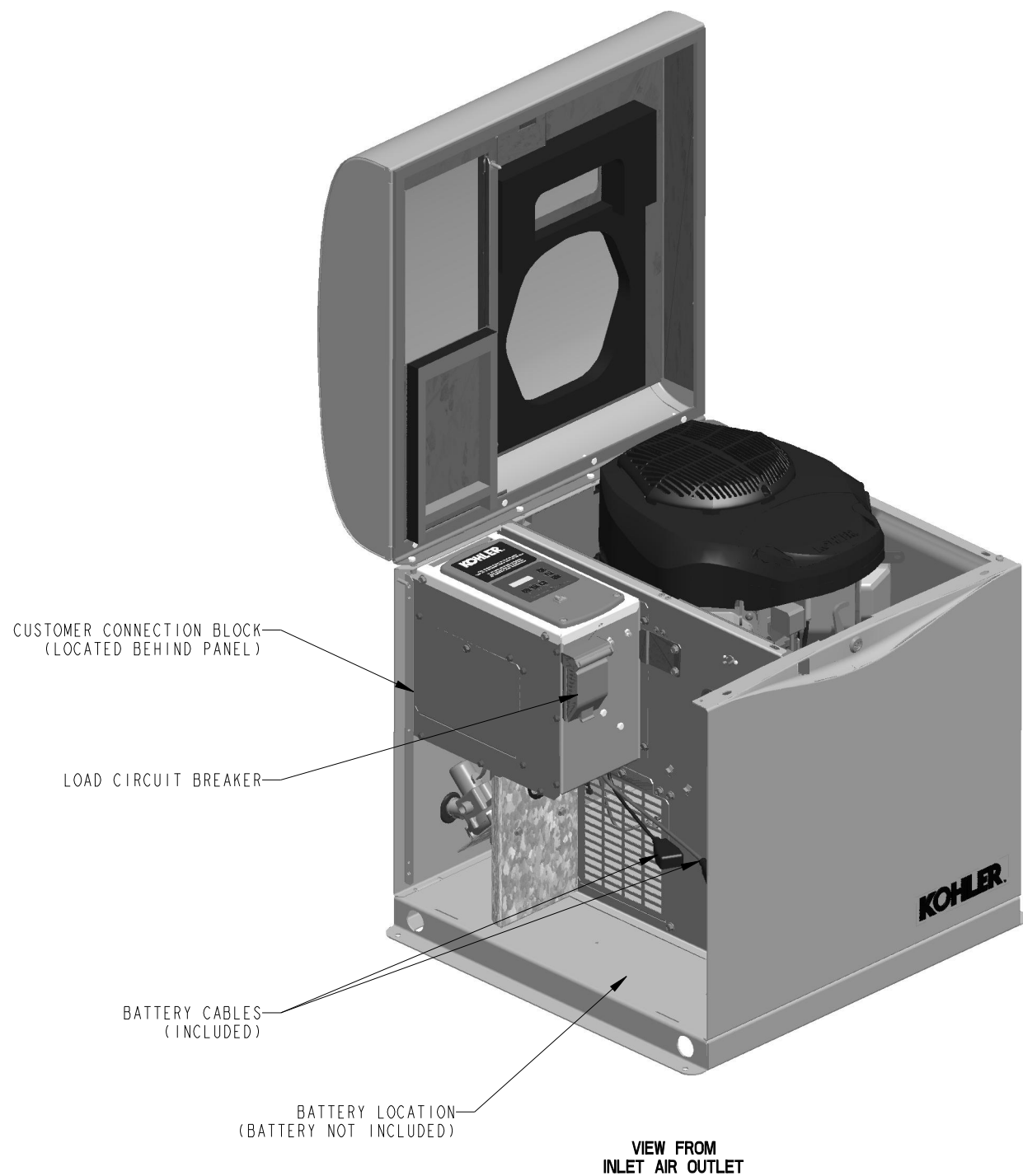
**KOHLER**  
KOHLER, WISCONSIN 53044

SCALE: NA SHEET SIZE: B SHEET 1 OF 3

TITLE:  
**DIMENSION PRINT,  
10/12RESV**

DWG NO.: **ADV-9739**

RESV



REV	DATE	CHANGE NUMBER	ON COMPOSITE DWGS, SEE PART NO. FOR REVISION LEVEL □ INDICATES PART NUMBERS AFFECTED BY LATEST DRAWING REVISION	BY
-	22OCT2020	CT207992	NEW DRAWING	AZE

UNLESS OTHERWISE SPECIFIED:  
ALL DIMENSIONS IN MILLIMETERS  
GENERAL TOLERANCES:  
X.XX ± 0.25  
X.X ± 1.0 SURFACE FINISH  
X ± 1.5  
ANGLES ± 0°30' ✓ MAX.

THIRD ANGLE PROJECTION

MAJOR ○ = 0  
CRITICAL ⊗ = 0

CHARACTERISTICS COMPLY WITH  
KPS-80022

DRAWN BY AZE DATE: 22OCT2020

APPROVED BY KJB

DO NOT SCALE.  
THIS ASSEMBLY OR PART MUST  
COMPLY WITH PEP-RML-001.  
REFERENCE CAD MODEL FOR  
UNSPECIFIED DIMENSIONS.

**KOHLER**  
KOHLER, WISCONSIN 53044

SCALE: NA SHEET SIZE: B SHEET 2 OF 3

TITLE:  
**DIMENSION PRINT,  
10/12RESV**

DWG NO.: **ADV-9739**

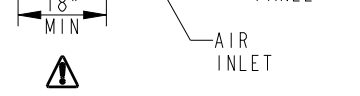
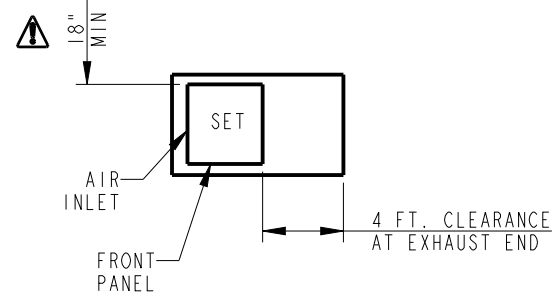
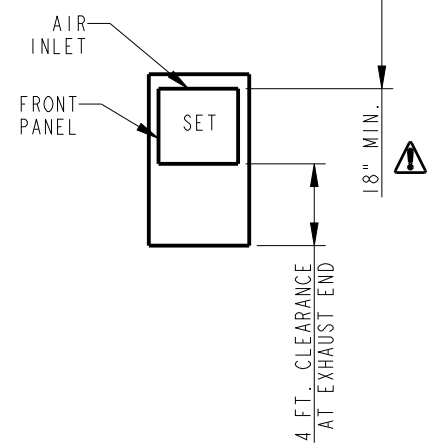
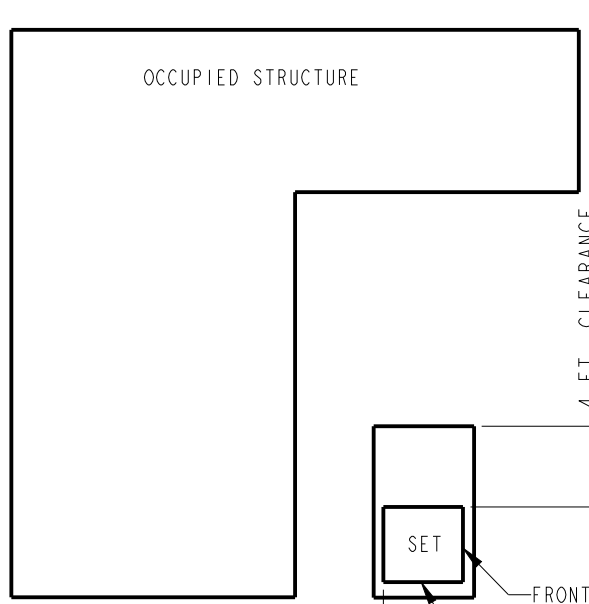
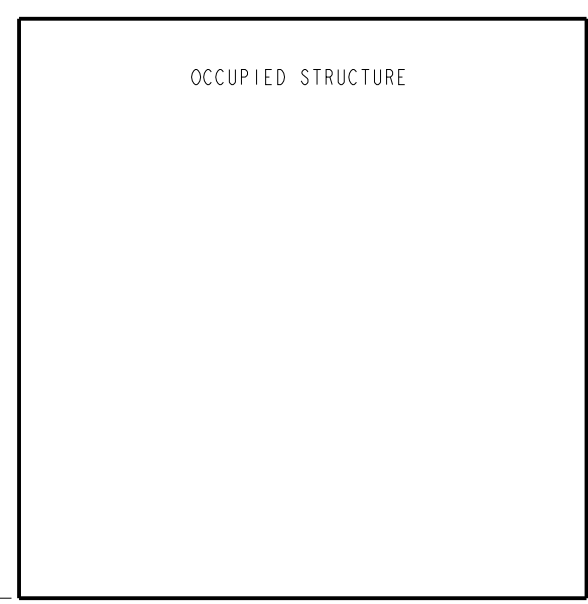
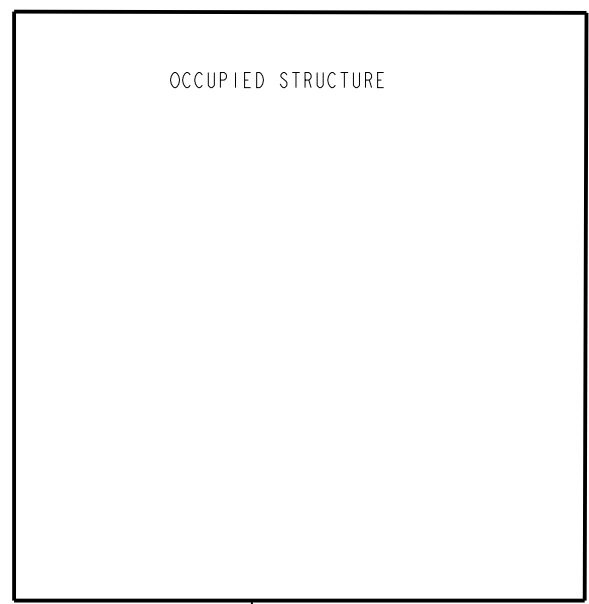
8 7 6 5 4 3 2 1

D

C

B

A



**ACCEPTABLE**

- 1) EXHAUST IS AIMED AWAY OR PARALLEL TO STRUCTURE.
- 2) EXHAUST IS NOT DIRECTED AT PLAY AREAS, PATIOS OR OTHER AREAS WHERE PEOPLE CONGREGATE.
- 3) THE NEAREST WINDOW, VENT, DOOR OR SIMILAR STRUCTURE OPENING IS AT LEAST 5 FEET FROM THE EXHAUST END OF THE SET.
- 4) SET HAS PROPER OFFSET FROM STRUCTURE.
- 5) WINDOWS & DOORS ON ADJACENT WALLS ARE CLOSED.
- 6) FURNACE AND OTHER SIMILAR INTAKES ARE AT LEAST 10 FEET FROM EXHAUST END OF SET.
- 7) WEED BARRIER AND 3 INCH THICK GRAVEL BASE LOCATED TO PREVENT GRASS & WEEDS FROM GROWING TOO CLOSE TO THE SET.
- 8) NO PLANTS, SHRUBS OR OTHER COMBUSTIBLES ALLOWED IN GRAVEL AREA. (MINIMUM 4 FT. FROM EXHAUST END).
- 9) REFER TO OWNERS MANUAL FOR OTHER INSTALLATION CONSTRAINTS.
- 10) NO PLANTS, SHRUBS, OR OTHER COMBUSTIBLES ALLOWED WITHIN 18" OF AIR INTAKE.

**NOTE:**  
 THE REQUIRED DISTANCE FROM A STRUCTURE IS DEPENDENT ON STATE AND LOCAL CODES. NFPA 37, STANDARDS FOR THE INSTALLATION AND USE OF STATIONARY COMBUSTION ENGINES AND GAS TURBINES.

REV	DATE	CHANGE NUMBER	ON COMPOSITE DWGS, SEE PART NO. FOR REVISION LEVEL □ INDICATES PART NUMBERS AFFECTED BY LATEST DRAWING REVISION	BY
-	22OCT2020	CT207992	NEW DRAWING	AZE

UNLESS OTHERWISE SPECIFIED:  
 ALL DIMENSIONS IN MILLIMETERS  
 GENERAL TOLERANCES:  
 X.XX ± 0.25  
 X.X ± 1.0 SURFACE FINISH  
 X ± 1.5  
 ANGLES ± 0°30' ✓ MAX.

**THIRD ANGLE PROJECTION**

**MAJOR** ○ = 0  
**CRITICAL** ⊕ = 0  
 CHARACTERISTICS COMPLY WITH  
 KPS-80022

DRAWN BY AZE DATE: 22OCT2020  
 APPROVED BY KJB

**DO NOT SCALE.**  
 THIS ASSEMBLY OR PART MUST COMPLY WITH PEP-RML-001. REFERENCE CAD MODEL FOR UNSPECIFIED DIMENSIONS.

**KOHLER.**  
 KOHLER, WISCONSIN 53044

SCALE: NA SHEET SIZE: B SHEET 3 OF 3

TITLE:  
**DIMENSION PRINT, 10/12RESV**

DWG NO.: **ADV-9739**